

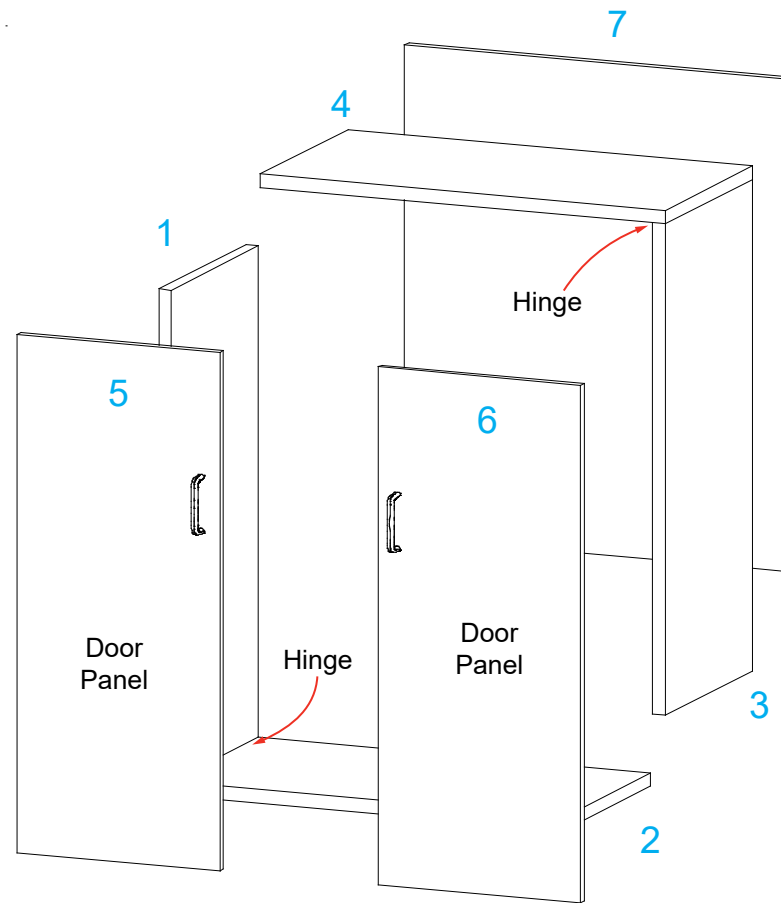
Item	Qty.	Description
1	1	13.5" x 28.681" Side Panel
2	1	27.252" x 13.5" Bottom Panel
3	1	13.5" x 29.429" Side Panel
4	1	28" x 13.5" Top Panel
5	1	Left Door Panel
6	1	Right Door Panel
7	1	27.681" x 25.504" Infill Panel

- Steps:
- 1) Connect assembled panels [1/2] & [3/4] together, with Infill Panel [7] inserted.
  - 2) Attach Door Panels [5,6] to assembled counter body.
  - 3) Install Legs to bottom of counter using bolts
  - 4) Connect threaded stud of Standoff Barrels to nutserts in Counter Top, as shown in detail.
  - 5) Attach Counter Top to top panel using bolts as shown.

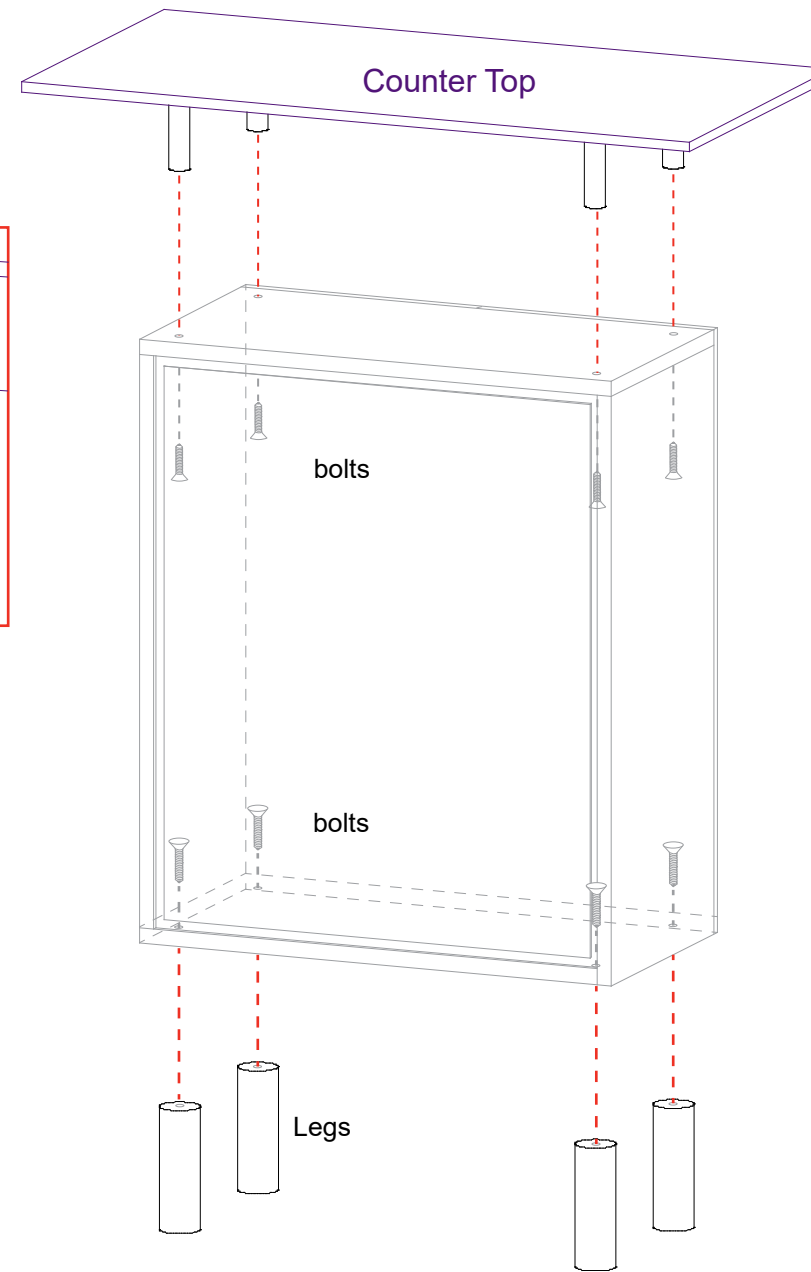
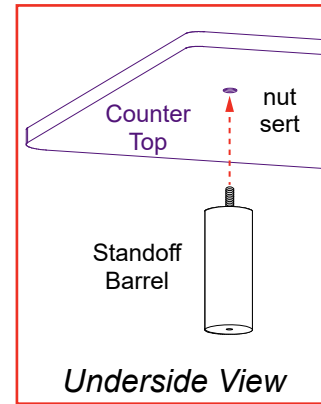
Note: Counter Top bolts require 5/16" hex bit allen wrench (included).



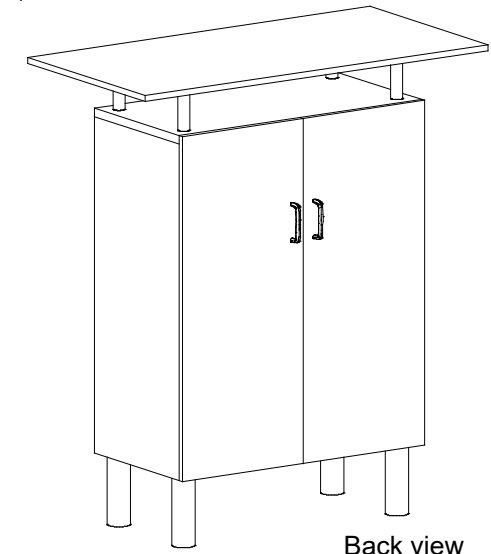
\*\* Note: Panels [1-2] and [3-4] are permanently connected with a hinge.



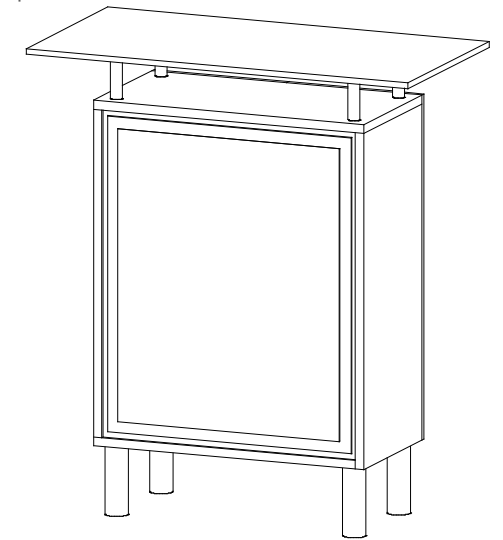
BACK VIEW



FRONT VIEW



Back view



Front view

When assembled

# SETUP INSTRUCTIONS

## General Setup Instructions

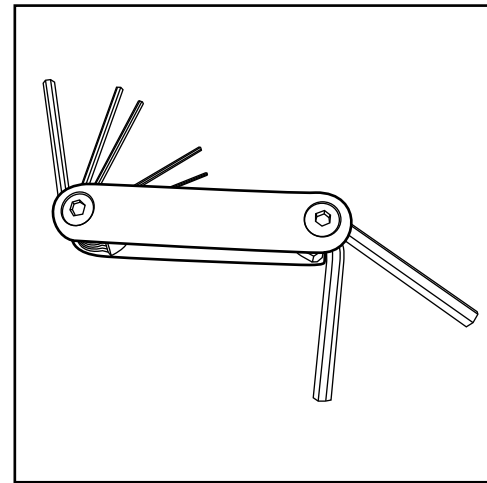
- Read entire setup instruction manual prior to unpacking parts and pieces.
- The setup instructions are created specifically for this configuration.
- Setup instructions are laid out sequentially in steps, including exploded views with detailed explanation for assembly.

## Cleaning & Packing

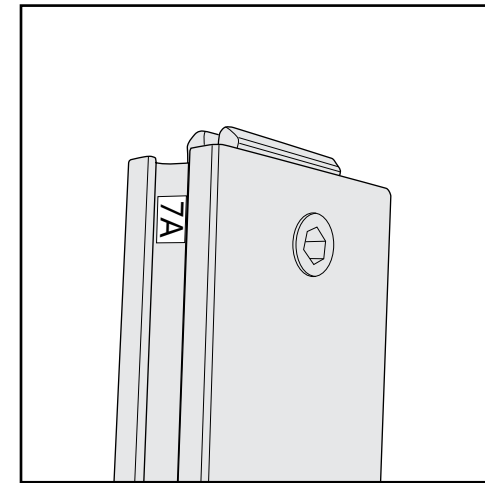
- For Cleaning Metal, Plex, & Laminate Parts: Use a **MILD NON-ABRASIVE** cleanser and soft cloth/paper towel to clean all surfaces.
- Keep exhibit components away from heat and prolonged sun exposure.  
**Heat and UV exposure will warp and fade components.**
- Retain all provided Packing Materials. All provided packing materials are for ease of repacking & component protection.

## Disassembly

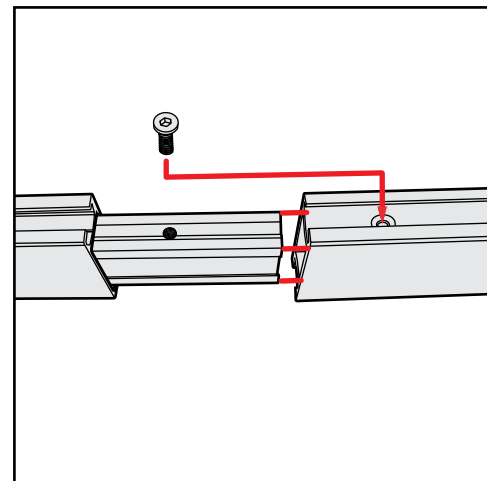
- For loss prevention, tighten all set screws and locks during disassembly.



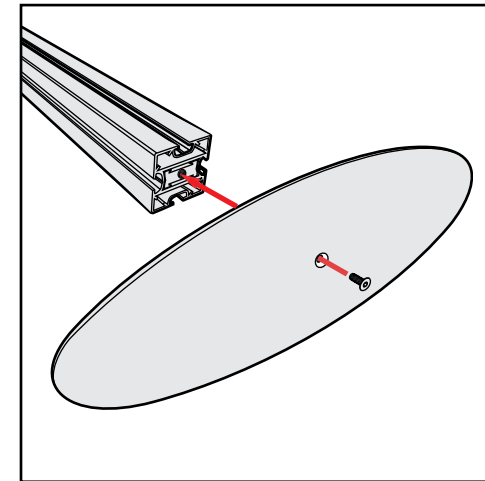
Hex Tool - Essential for Assembly



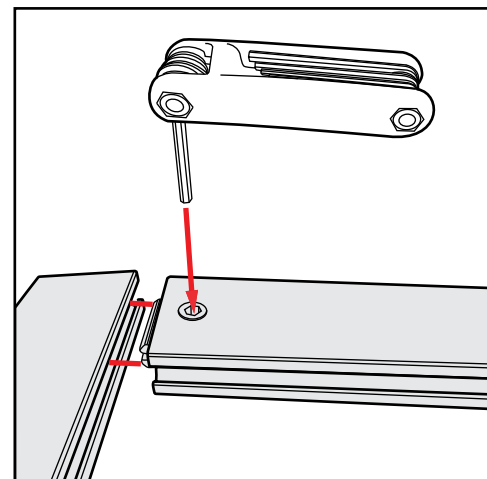
Part Identification - Numbering



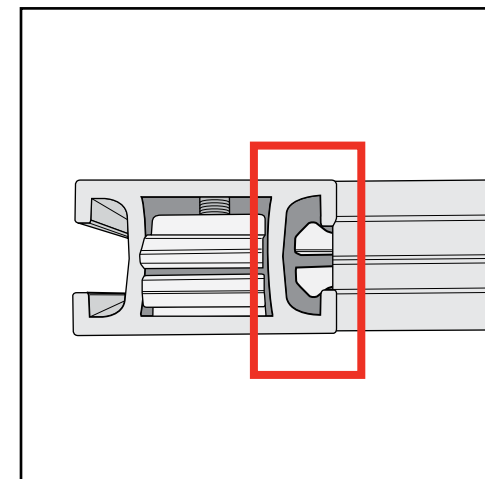
Spline Connection



Base Plate & Extrusion Connection



Extrusion & Lock Connection



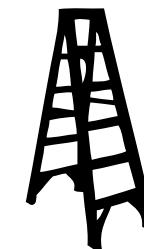
Engaged Lock



**WARNING**



DO NOT USE POWER TOOLS

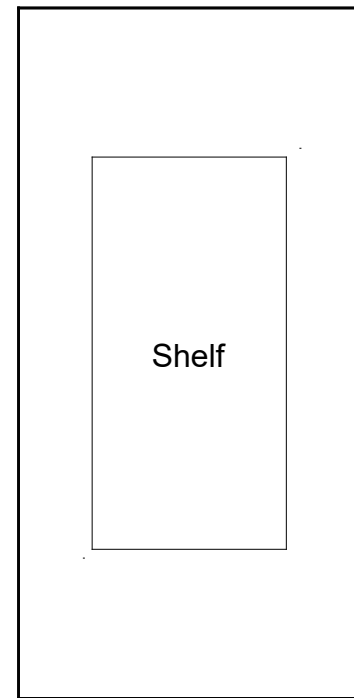


LADDERS OR LIFTS  
MAY BE REQUIRED

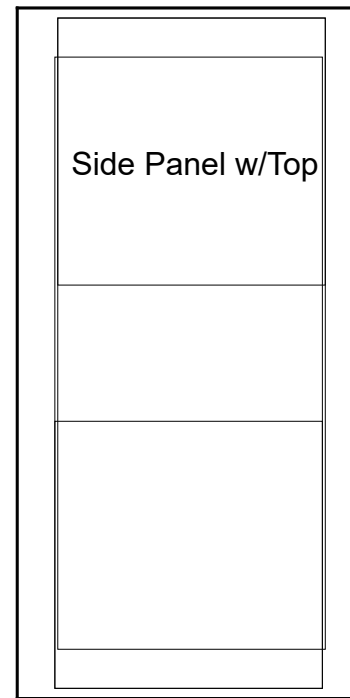


ALL CONNECTIONS MUST  
BE TIGHTLY SECURED

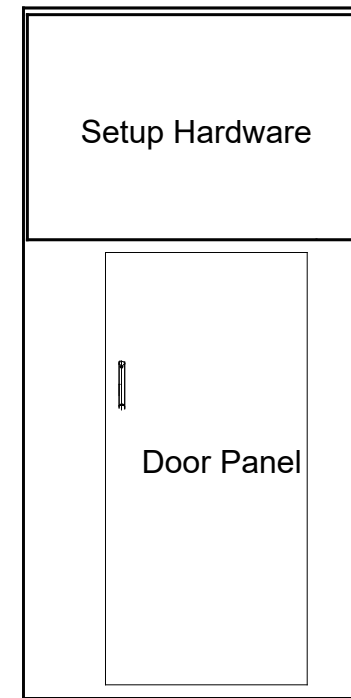
## Top View of Each Level



Level 1

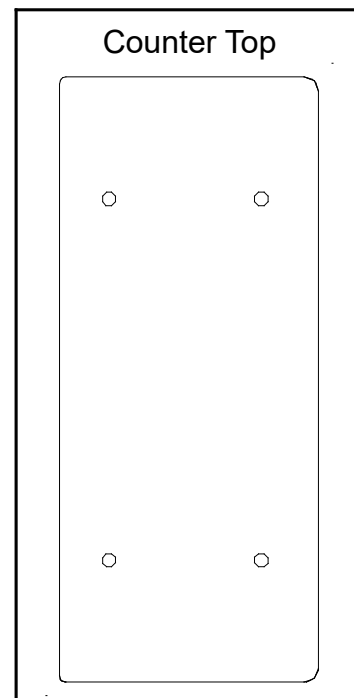


Level 2

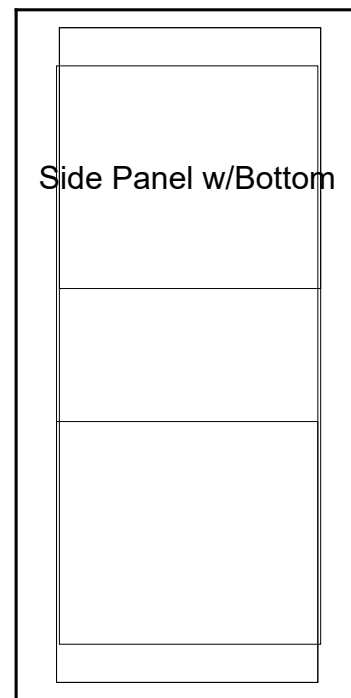


Level 3

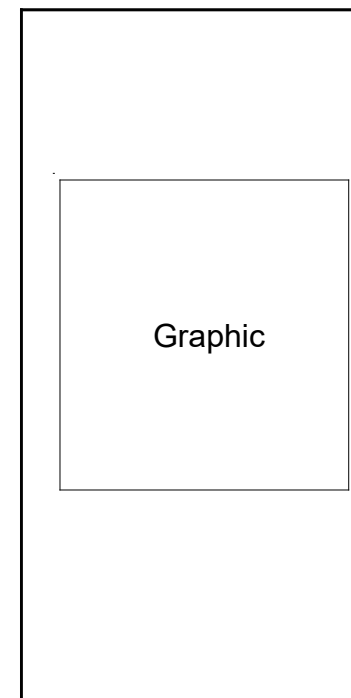
## Top View of Each Level



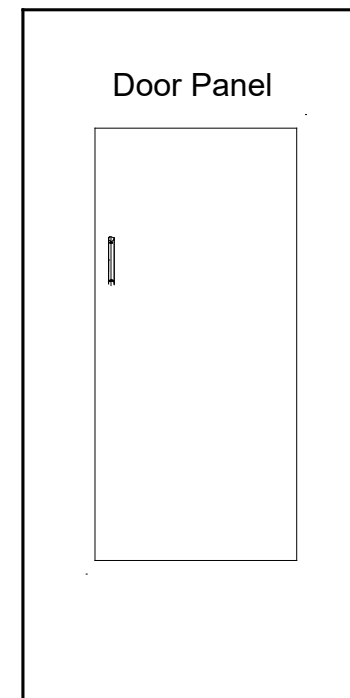
Level 1



Level 2



Level 3



Level 4